

EZ28

Tracked Zero Tail Excavators



**WACKER
NEUSON**
all it takes!



The design for champions

The EZ28 compact excavator combines the advantages of a zero tail excavator with a well-designed cabin. An innovative front window mechanism for easy ventilation, joystick support, wide cabin entry as well as the arrangement of operating and display elements of the EZ28 are ergonomically and perfectly adapted to the needs of your workplace.

- The re-designed cabin of the EZ28 is ergonomical and spacious.
- The innovative opening system for the front window enables easy ventilation and communication.
- The new modular control lever supports: Everything is within reach here and is clearly arranged.
- Zero tail swing for working in tight and confined spaces.
- Optional Vertical Digging System (VDS) and EASY LOCK.

EZ28 Technical specifications

Operating data

Shipping weight min.	2,575 kg
Operating weight	2,735 - 3,382 kg
Biting force max.	15.3 kN
Breakout force max.	22.5 kN
Digging depth max.	2,744 mm
Dumping height	2,840 - 3,087 mm
Digging radius max.	4,806 mm
Superstructure slewing speed	10.2 1/min
L x W x H	4,255 x 1,570 x 2,408 mm
Tank capacity	36 l

Engine / Motor

Engine / Motor manufacturer	Yanmar
Engine / Motor type	3TNV76
Engine / Motor	Water-cooled 3-cylinder diesel engine
Displacement	1,115 cm ³
RPM / speed	2,500 rpm
Engine performance output to ISO	15.2 kW

Battery

Battery	44 Ah
---------	-------

Hydraulic system

Duty pump	Double variable- & two-gear pump
Flow rate	30.8 l/min
Operating pressure for working and traction hydraulics	225 bar
Operating pressure Slewing gear	206 bar
Hydraulic oil tank	26.5 l

Undercarriage

Travel speed max.	3.8 km/h
Chain width	300 mm
Ground clearance	277 mm

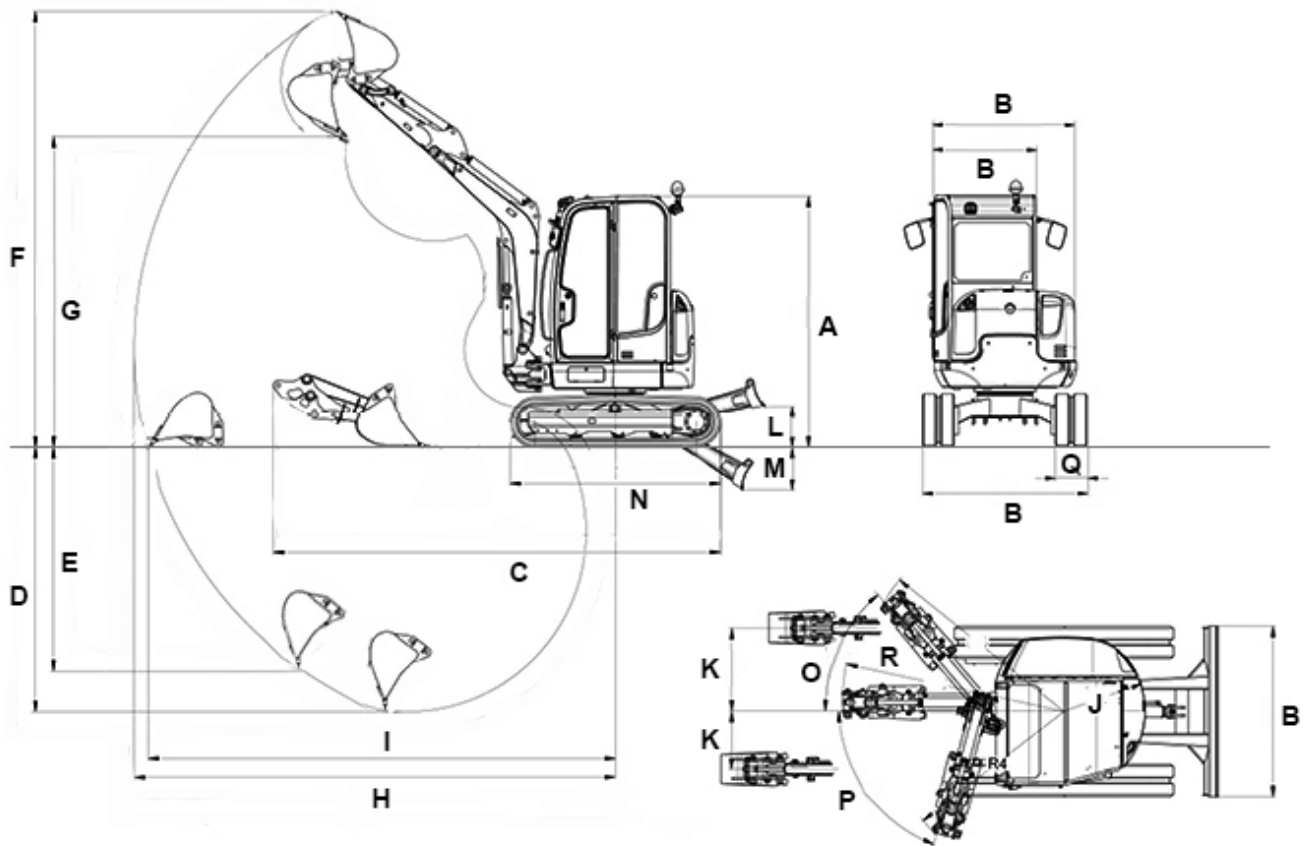
Dozer Blade

Width	1,570 mm
Height	290 mm
Stroke max., above ground	380 mm
Stroke max., below ground	419 mm

Sound level

Sound level (LwA) acc. to 2000/14/EC	93 dB(A)
Cabin - specified sound pressure level LpA acc. to ISO 6394	79 dB(A)

EZ28 Dimensions



			VDS
A	Height	2,408 mm	2,526 mm
B	Width of the cabin	970 mm	970 mm
B	Width of the revolving superstructure	1,340 mm	1,340 mm
B	Width of the undercarriage	1,570 mm	1,570 mm
C	Transport length (short dipper arm)	4,255 mm	4,199 mm
C	Transport length (long dipper arm)	4,272 mm	4,241 mm
D	Digging depth max. (short dipper arm)	2,544 mm	2,418 mm
D	Digging depth max. (long dipper arm)	2,744 mm	2,617 mm
E	Insertion depth max. vertical (short dipper arm)	1,962 mm	1,845 mm
E	Insertion depth max. vertical (long dipper arm)	2,152 mm	2,035 mm
F	Insertion height max. (short dipper arm)	4,169 mm	4,300 mm
F	Insertion height max. (long dipper arm)	4,299 mm	4,430 mm
G	Dump height max. (short dipper arm)	2,840 mm	2,960 mm
G	Dump height max. (long dipper arm)	2,970 mm	3,087 mm
H	Digging radius max. (short dipper arm)	4,613 mm	4,614 mm
H	Digging radius max. (long dipper arm)	4,805 mm	4,806 mm
I	Range max. ground coverage (short dipper arm)	4,481 mm	4,443 mm
I	Range max. ground coverage (long dipper arm)	4,681 mm	4,644 mm
J	Rear swivel radius	759 mm	759 mm

K	Arm displacement max. boom offset to center of bucket, right side	764 mm	765 mm
K	Arm displacement max. boom offset to center of bucket, left side	533 mm	534 mm
L	Lift height max. of dozer blade above subgrade	380 mm	388 mm
M	Scraping depth max. of the dozer blade below subgrade	419 mm	411 mm
N	Length	2,006 mm	2,006 mm
O	Turning angle max. of the arm system to the right	50 °	50 °
P	Turning angle max. of the arm system to the left	75 °	75 °
Q	Chain width	300 mm	300 mm
R	Boom slewing radius center	2,080 mm	2,054 mm
--	Boom slewing radius right	1,960 mm	1,943 mm
--	Boom slewing radius left	1,641 mm	1,640 mm
--	Distance of bucket dozer blade (long dipper arm)	259 mm	218 mm
--	Distance of bucket dozer blade (short dipper arm)	354 mm	326 mm
--	Length total traveling gear	2,006 mm	2,021 mm
--	Width dozer blade	1,570 mm	1,570 mm
--	Height dozer blade	300 mm	300 mm

Please note: that product availability can vary from country to country. It is possible that information / products may not be available in your country. More detailed information on engine power can be found in the operator's manual; the stated power may vary due to specific operating conditions. Subject to alterations and errors excepted. Applicable also to illustrations.

Copyright © 2021 Wacker Neuson SE.