



explore>



ACTIVITIES

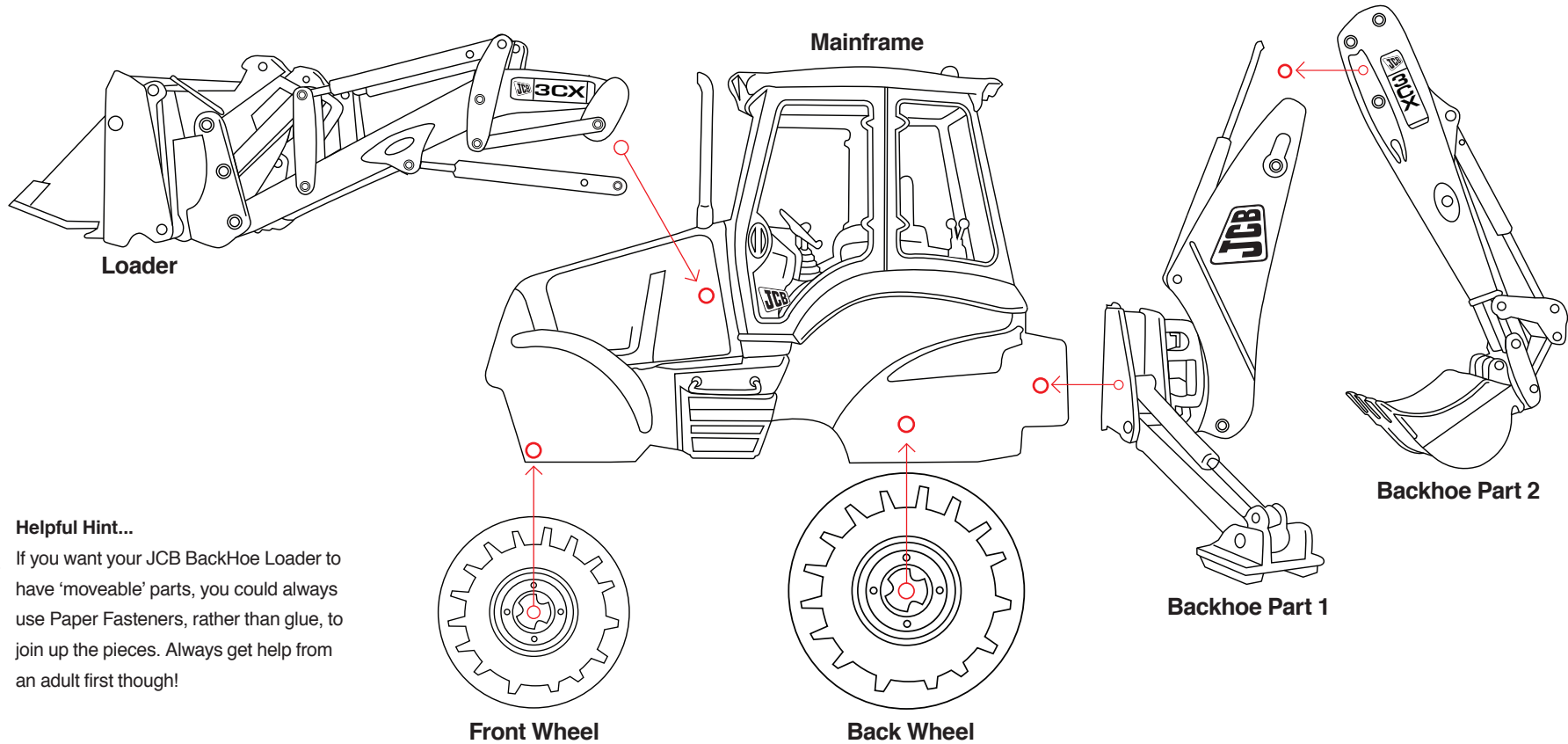
Building

# Assemble the Backhoe Loader

## Construction Plan:

Use this diagram to help you put together the JCB Backhoe Loader step by step.

You will need to ask your Mum or Dad to help you with this activity .



### Helpful Hint...

If you want your JCB BackHoe Loader to have 'moveable' parts, you could always use Paper Fasteners, rather than glue, to join up the pieces. Always get help from an adult first though!